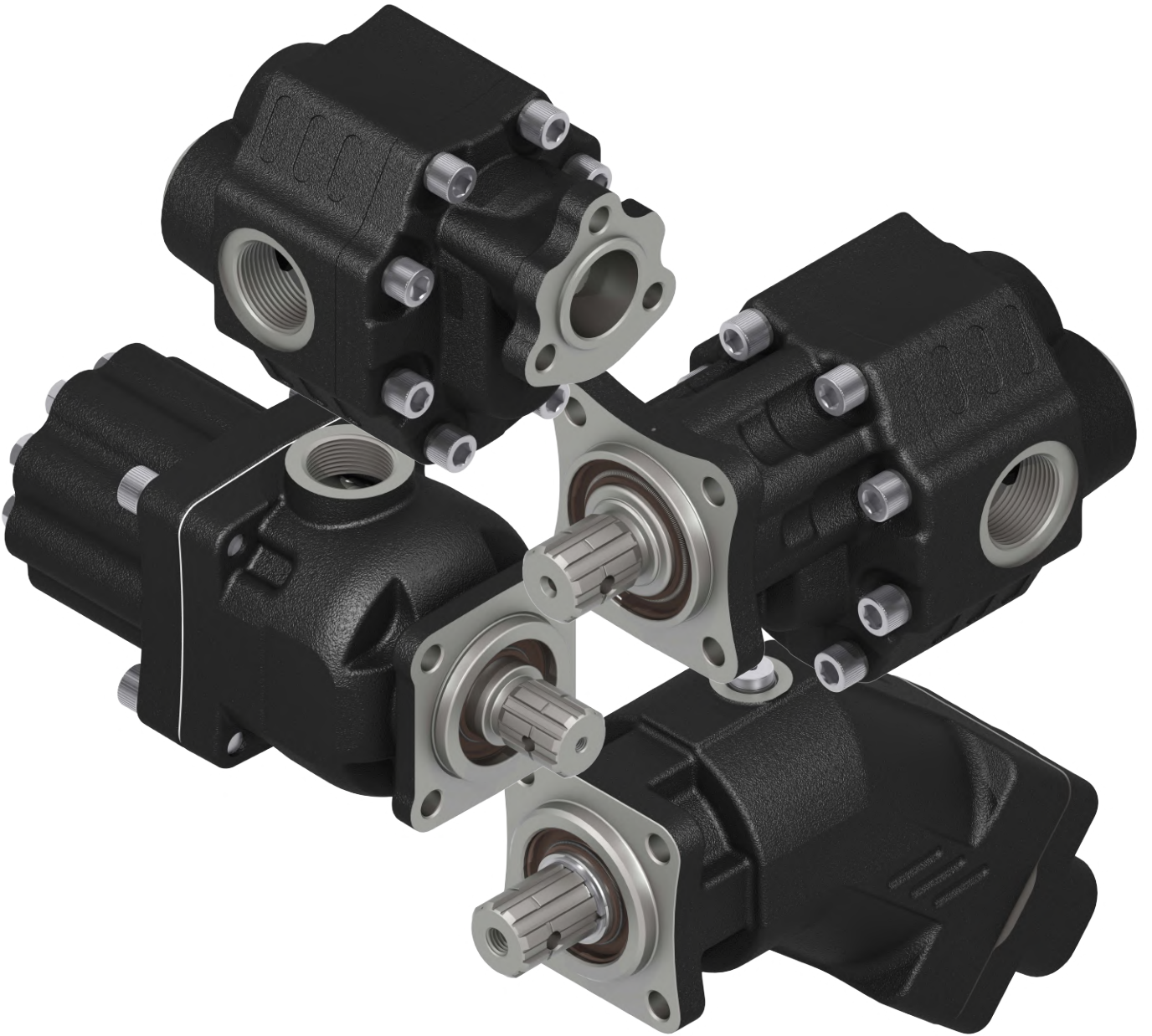


## HYDRAULIC PUMP CATALOGUE



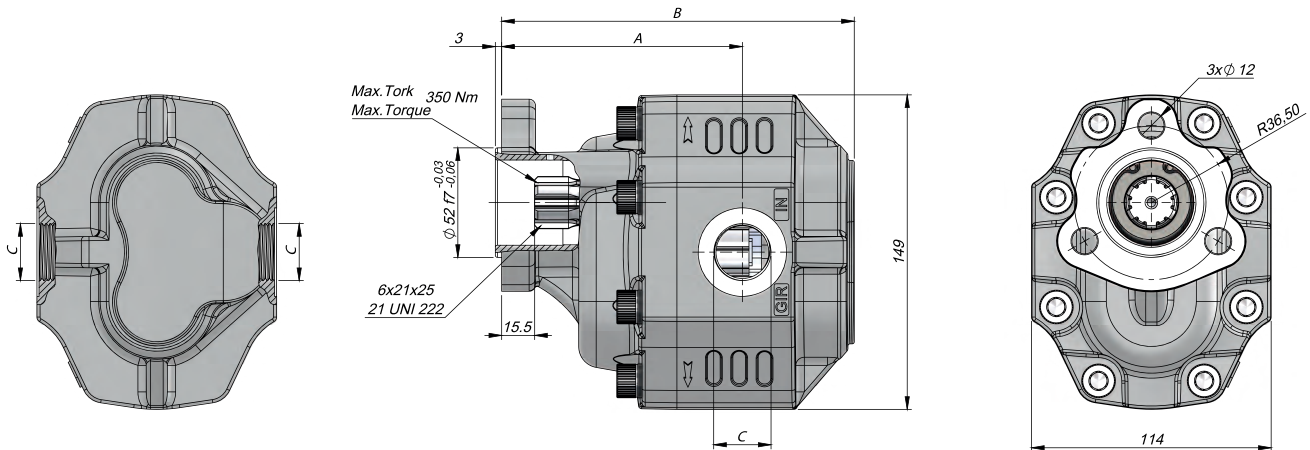
# TECHNICAL DATA

## 30 SERIES 3 HOLES UNI BI-DIRECTIONAL GEAR PUMP



HYDRAULIC SYMBOL

Inlet Pressure		0.7÷ 1.5 bar	
Operating Viscosity Range		-12:100 cSt	
Fluid Temperature		-10 °C+80 °C	
Working Pressure	Contamination		Filter
	NAS 1638	ISO 4406	$\beta_x=75$
$\geq 200$ bar	11	20/17	25 $\mu\text{m}$
$\leq 200$ bar	12	21/18	40 $\mu\text{m}$

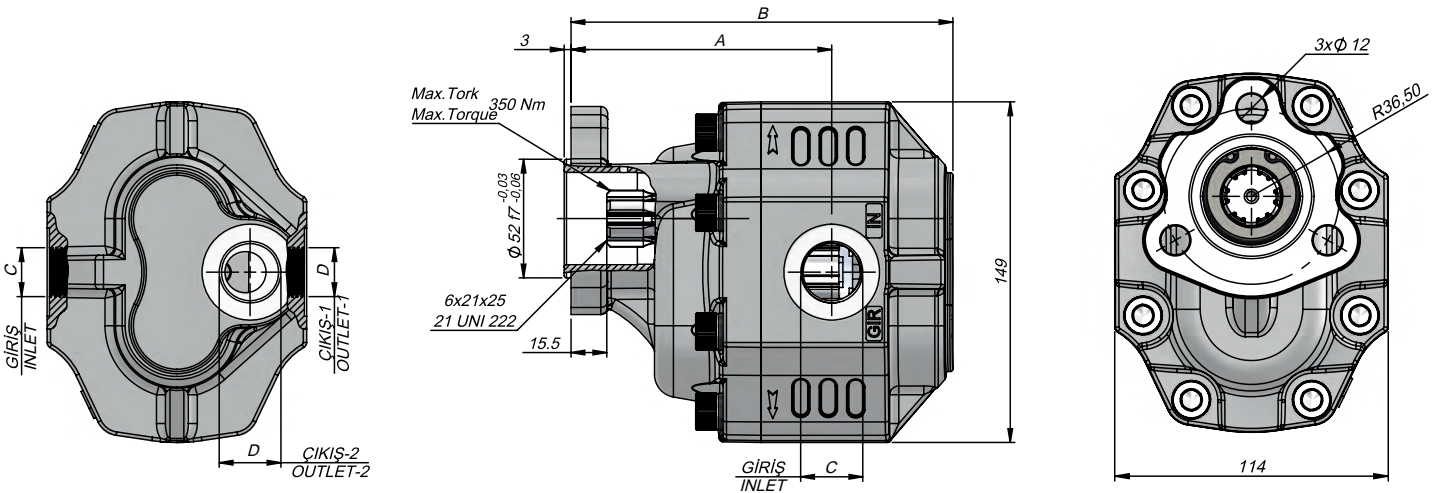


Code	Displacement	Max.Continuous Pressure	Max.Intermittent Pressure	Max.Peak Pressure	Max.Continuous Speed	Max.Intermittent Speed	Min.Speed	A	B	Inlet	Outlet
BI-DIRECTIONAL	(cm <sup>3</sup> /rev)	(100%)(BAR)	(20 sec.max.)(BAR)	(6 sec.max.)(BAR)	(RPM)	(RPM)	(RPM)	(mm)	(mm)	C	C
KH01020170232B-2	17	300	310	320	2600	3000	300	103	150	G1/2"	G1/2"
KH01020270232B-2	27	290	300	310				108	156		
KH01020340232B-2	34	285	295	305	2300	2900		109	161	G3/4"	G3/4"
KH01020430232B-2	43	280	290	300				2100	2600		
KH01020510232B-2	51	230	260	280	2000	2100					
KH01020610232B-2	61	225	240	260				1700	1900		
KH01020820232B-2	82	200	210	220	1600	1900				124.5	191
KH01021000232B-2	100	190	200	220				142.5	220	138.5	204
KH01021250232B-2	125	170	190	200							G1 1/4"

# TECHNICAL DATA

## 30 SERIES 3 HOLES UNI GEAR PUMP

Inlet Pressure		0.7÷ 1.5 bar	
Operating Viscosity Range		-12:100 cSt	
Fluid Temperature		-10 °C+80 °C	
Working Pressure	Contamination		Filter
	NAS 1638	ISO 4406	$\beta_x=75$
$\geq 200$ bar	11	20/17	25 $\mu\text{m}$
$\leq 200$ bar	12	21/18	40 $\mu\text{m}$



Code	Displacement	Max.Continuous Pressure	Max.Intermittent Pressure	Max.Peak Pressure	Max.Continuous Speed	Max.Intermittent Speed	Min.Speed	A	B	Inlet	Outlet
Left (L) / Right (R)	(cm <sup>3</sup> /rev)	(100%)(BAR)	(20 sec.max.)(BAR)	(6 sec.max.)(BAR)	(RPM)	(RPM)	(RPM)	(mm)	(mm)	C	D
KH01020170212L/R-2	17	300	310	320	2600	3000	300	103	150	G1/2"	G1/2"
KH01020270212L/R-2	27	290	300	310				108	156		
KH01020340212L/R-2	34	285	295	305	2300	2900		109	161	G3/4"	G3/4"
KH01020430212L/R-2	43	280	290	300	2100	2600		114	167	G1"	
KH01020510212L/R-2	51	230	260	280				114	172		
KH01020610212L/R-2	61	225	240	260	2000	2100		120.5	180	G1 1/4"	G1" G3/4" (Alternative)
KH01020820212L/R-2	82	200	210	220	1700	1900	124.5	191			
KH01021000212L/R-2	100	190	200	220			1600	1900	138.5	204	
KH01021250212L/R-2	125	170	190	200	142.5	220					

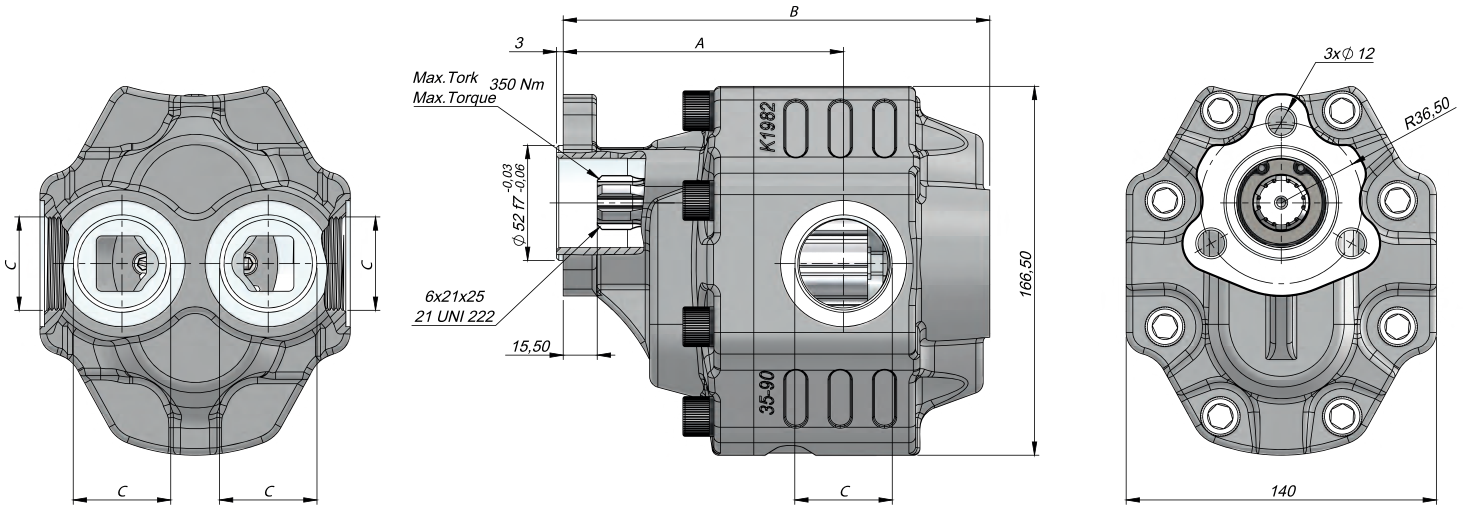
# TECHNICAL DATA

## 35 SERIES 3 HOLES UNI BI-DIRECTIONAL GEAR PUMP

Inlet Pressure		0.7÷ 3 bar	
Operating Viscosity Range		-12:100 cSt	
Fluid Temperature		-10 °C+80 °C	
Working Pressure	Contamination		Filter
	NAS 1638	ISO 4406	$\beta_x=75$
$\geq 200$ bar	11	20/17	25 $\mu\text{m}$
$\leq 200$ bar	12	21/18	40 $\mu\text{m}$



HYDRAULIC SYMBOL



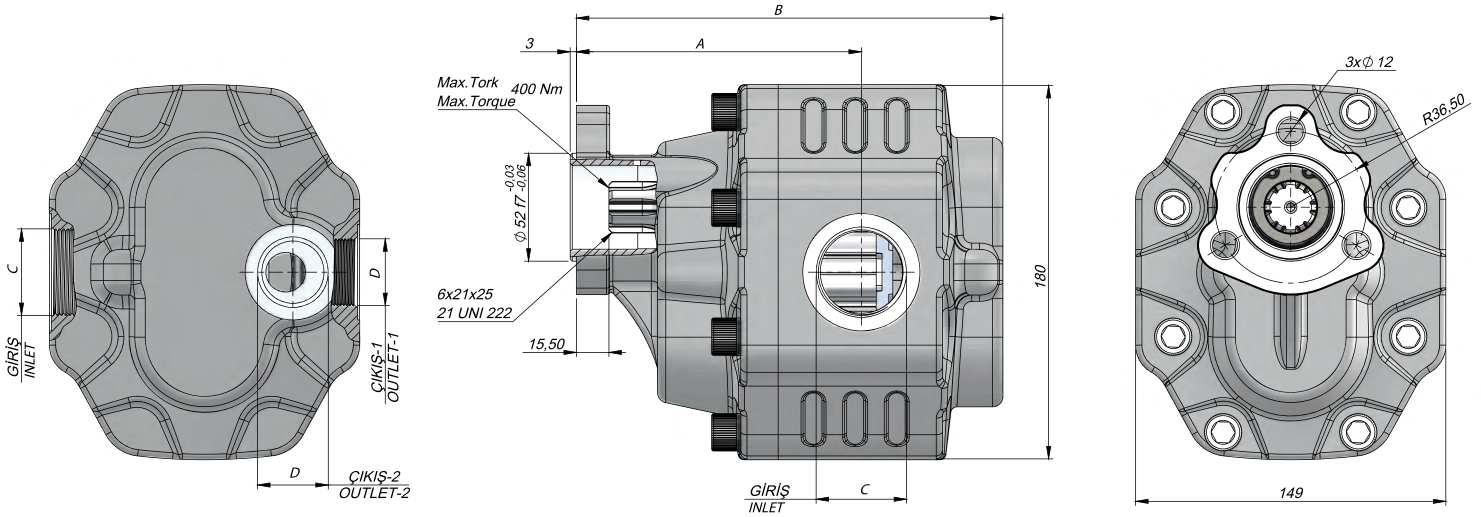
Code	Displacement	Max.Continuous Pressure	Max.Intermittent Pressure	Max.Peak Pressure	Max.Continuous Speed	Max.Intermittent Speed	Min.Speed	A	B	Inlet	Outlet
BI-DIRECTIONAL	( $\text{cm}^3/\text{rev}$ )	(100%)(BAR)	(20 sec.max.)(BAR)	(6 sec.max.)(BAR)	(RPM)	(RPM)	(RPM)	(mm)	(mm)	C	C
KH01030600222B-2	60	250	270	290	1800	2500	300	120.5	179.5	G1"	
KH01030820222B-2	82	240	260	280				122.5	188.5	G1 1/4" (G1" Alternative)	
KH01030900222B-2	90	230	250	270				126.5	192.5	G1 1/4"	
KH01031000222B-2	100	220	240	260				127.5	202.5		
KH01031100222B-2	110	205	220	250				129	204.5		
KH01031250222B-2	125	195	215	230				132.5	215		

# TECHNICAL DATA

## 40 SERIES 3 HOLES UNI GEAR PUMP



Inlet Pressure		0.7÷ 3 bar	
Operating Viscosity Range		-12:100 cSt	
Fluid Temperature		-10 °C+80 °C	
Working Pressure	Contamination		Filter
	NAS 1638	ISO 4406	$\beta_x=75$
$\geq 200$ bar	11	20/17	25 $\mu\text{m}$
$\leq 200$ bar	12	21/18	40 $\mu\text{m}$



Code	Displacement	Max.Continuous Pressure	Max.Intermittent Pressure	Max.Peak Pressure	Max.Continuous Speed	Max.Intermittent Speed	Min.Speed	A	B	Inlet	Outlet
Left (L) / Right (R)	(cm <sup>3</sup> /rev)	(100%)(BAR)	(20 sec.max.)(BAR)	(6 sec.max.)(BAR)	(RPM)	(RPM)	(RPM)	(mm)	(mm)	C	D
KH01040630212L/R-2	63	280	310	330	1800	2800	300	127	188	G1"	G3/4"
KH01040730212L/R-2	73	275	300	320				127	192		
KH01040870212L/R-2	87	265	285	300				131	197	G1 1/4"	
KH01041090212L/R-2	109	240	260	285	137	205					
KH01041330212L/R-2	133	230	250	270	1500	2500	300	138	214	G1 1/2"	G1"
KH01041510212L/R-2	151	180	200	230				140.5	220		